

SIEMENS



3VJ Moulded Case Circuit Breakers

The Perfect Choice

NEW

3VJ Moulded Case Circuit Breaker

MCCBs with Thermal Magnetic Trip Units offer you the perfect solution for all your applications. In addition, simple yet functional features maximizes the benefits for users in all segments e.g. Buildings (Residential/ Commercial), Infrastructure, Utilities & Industries alike.



3VJ Moulded Case Circuit Breaker

The Perfect Choice



Compact

These MCCBs save space in enclosures & switchboards and reduces the overall size of the module.



Reliable & Safe

Be assured when you are using this MCCB as every piece is designed with utmost quality and achieves the best performance. True 4pole MCCB (100% rated), is perfect to operate even in demanding applications.



Flexible






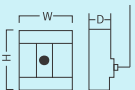
MCCBs come with common footprints from 10kA to 55kA breaking capacities and in addition no Neutral pole bias (left or right).



The Perfect combination

This excellently crafted MCCB is coupled with user friendly features & cost effective solution for Power distribution.

Technical specifications

																
Type		3VJ10	3VJ10	3VJ11	3VJ12	3VJ13										
Number of Poles		1	2/3/4	2/3/4	2/3/4	3/4										
Frame size		125X	125X	125	250	400										
Rated operational current In at 45°C ambient temperature	A	20-125	20-125	25-125	160-250	320-400										
Rated operational voltage Ue 50/60Hz AC	V	240	415	415	415	415										
Insulation Voltage	V	800	800	1000	1000	1000										
Impulse Voltage	kV	6	6	8	8	8										
Suitable for Isolation		Yes														
Utilization category, according to IEC60947-2		A														
Breaking capacity																
Short-circuit breaking capacities Icu Ics rms value, according to IEC60947-2																
Icu @ AC 415* V-50/60Hz	kA	10	18	25	10	18	25	25	36	55	25	36	55	25	36	55
Ics @ AC 415* V-50/60Hz	kA	100%	75%	100%	75%	75%	75%	75%	75%	75%	75%	75%	75%	75%	75%	75%
Trip Units																
Fixed Thermal Fixed Magnetic (1P/2P/3P/4P MCCBs)	FTFM						■									
Adjustable Thermal Fixed Magnetic (3P/4P MCCBs)	ATFM						■									
Neutral Protection in 4P MCCB							100%									
No. of operations																
Mechanical		15000	15000	15000	15000	15000	10000									
Electrical @ 415* V AC		5000	5000	5000	5000	5000	4000									
Connection technology																
Standard connection technology							Screw terminal									
Overall Dimensions																
Width x Height x Depth		35 X 118 X 62	80 (2P/3P) /103.5 (4P) x 126 x 62	92 (2P/3P) x 122 (4P) x 150 x 81	107.5 (2P/3P) x 142.5 (4P) x 166 X 81	150 (3P) /198 (4P) x 260 x 104										

*240V for 1P MCCBs

■ Available

Certifications

3VJ MCCB conforms to the latest international standards EN60947-2/2017 & IS/IEC60947-2/2016 and pollution degree III.

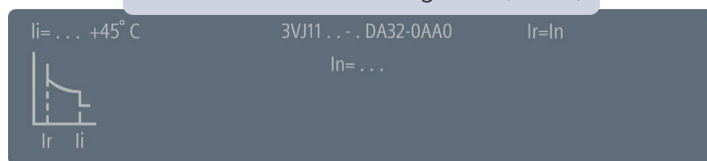


Thermal Magnetic Trip Unit

We offer you flexibility in our 3VJ MCCB as all 4poles are 100% rated and protected so you can use flexible Neutral configuration (N-RYB or RYB-N) best suited for your application.

Trip Units	Thermal settings	Magnetic settings
Fixed Thermal Fixed Magnetic (FTFM)	I_n	$10I_n$
Adjustable Thermal Fixed Magnetic (ATFM)	$0.8 - 1I_n$	$10I_n$

Fixed Thermal Fixed Magnetic (FTFM)



Adjustable Thermal Fixed Magnetic (ATFM)



Accessories

In addition to the basic protection units of 3VJ MCCBs, we also offer accessory components to provide optimum solution for all your power distribution requirements.

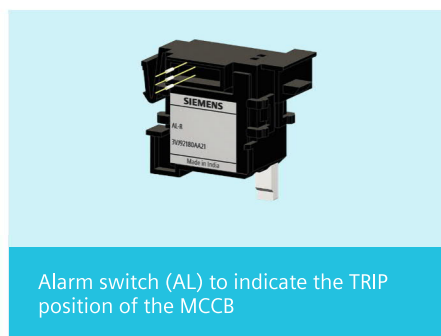
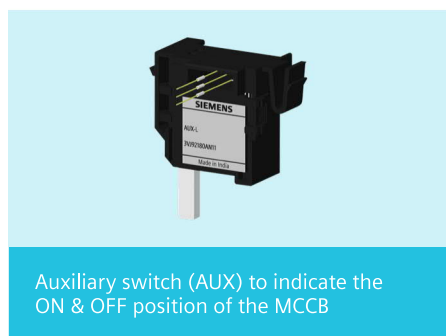
Internal Accessories

3VJ MCCB offers Auxiliary switches (Auxiliary, Alarm & Auxiliary + Alarm) & Auxiliary releases (UV & Shunt). The benefits of these accessories are standard method of operations and installation procedures, colour coded wires for clear differentiation between the accessories.

Auxiliary Switches

All auxiliary & alarm switches for 3VJ MCCBs are easy to fit in the compartments provided in front of moulded case circuit breaker to the left & right side of the knob. All auxiliary and alarm switches are provided with changeover contacts and therefore provide a high degree of flexibility for planning and installation purposes.

The different types of Auxiliary switches are



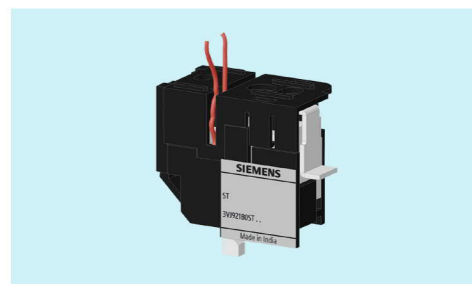
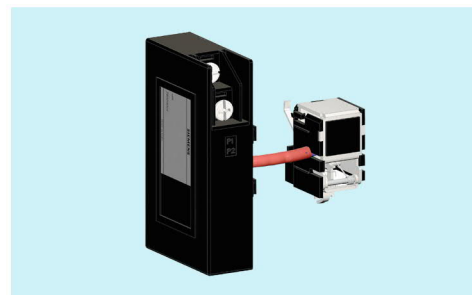
All these accessories will have separate left & right variant to fit in left & right compartments. This gives flexibility in terms of combinations used & easy access for customer use. All switches are designed along with prepared wires and are colour coded for ease of identification. Toolless installation is an added advantage.

Auxiliary Releases

Auxiliary releases allow remote electrical tripping of the circuit breaker.

Undervoltage releases trip the 3VJ moulded case circuit breaker in the event that the rated voltage of a monitored circuit drops below a minimum permissible limit or fails altogether. This can be fitted in left side compartment only. These are available in variety of AC & DC voltages.

Shunt trips can be used to trip the 3VJ moulded case circuit breaker remotely. This consists of an inbuilt aux contact which cuts off the supply to shunt trip coil once MCCB is tripped, this ensures the safety. This can be fitted in right side compartment only and provided with prepared cables for direct connections to voltage supply.



The table below shows the frame sizes of 3VJ MCCBs in which the internal accessories can be installed.

Accessories	Frame Sizes			
	3VJ10 125 A	3VJ11 125 A	3VJ12 250 A	3VJ13 400 A
Auxiliary Switch	✓	✓	✓	✓
Alarm Switch	✓	✓	✓	✓
Auxiliary + Alarm Switch	✓	✓	✓	✓
Shunt Release		✓		✓
Under voltage Release	x	✓	✓	✓

x Not Available | ✓ Available

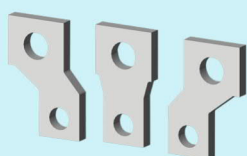
External accessories

In addition to the basic protection units of 3VJ MCCBs, we also offer accessory components to provide optimum solution for all your power distribution requirements.



Door mounted rotary handle

For the circuit breakers which are installed in cubicles and/or distribution boards, we offer door mounted rotary handle. This device can be padlocked in ON & OFF position ensuring complete safety.

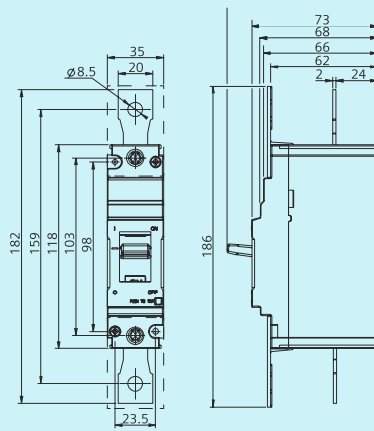


Connection Technology

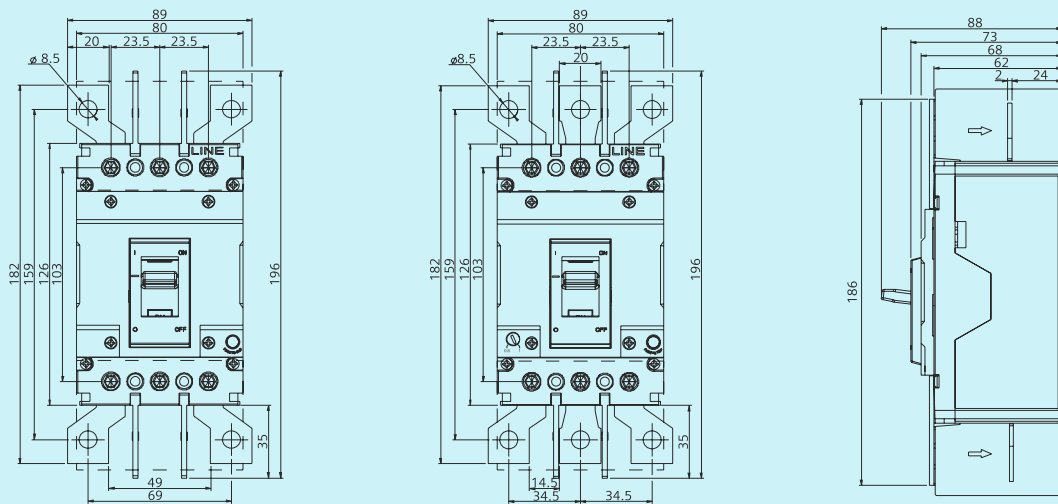
Spreader terminals allows flexibility in termination of variety of busbar/cable connections safely. Suitable spreader terminals are available for our 2P, 3P & 4P MCCBs.

Dimensional Details

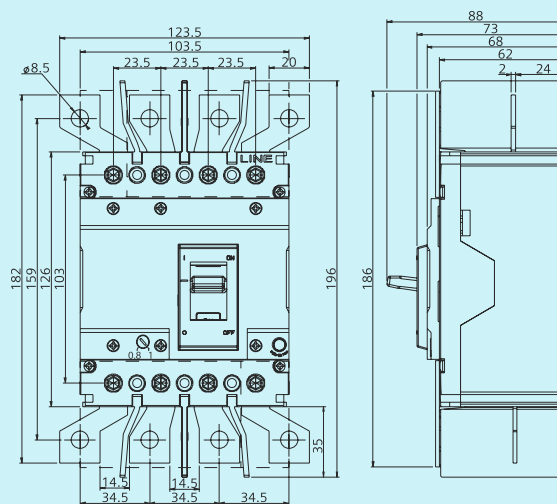
Frame 1X | 3VJ10 1P



Frame 1X | 3VJ10 2P / 3P



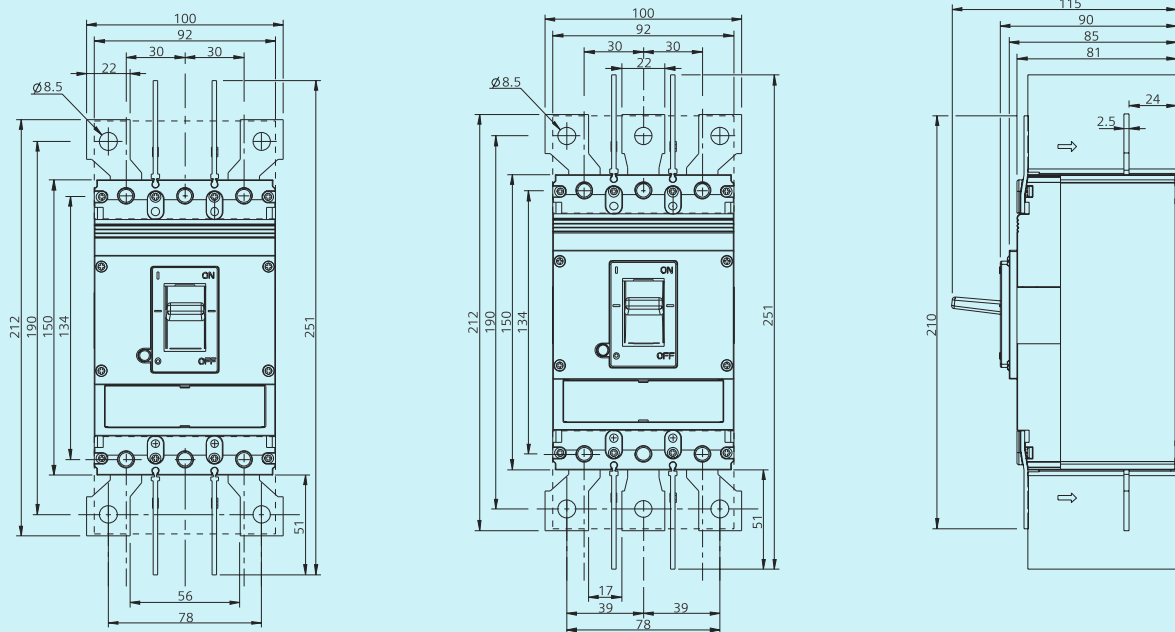
Frame 1X | 3VJ10 4P



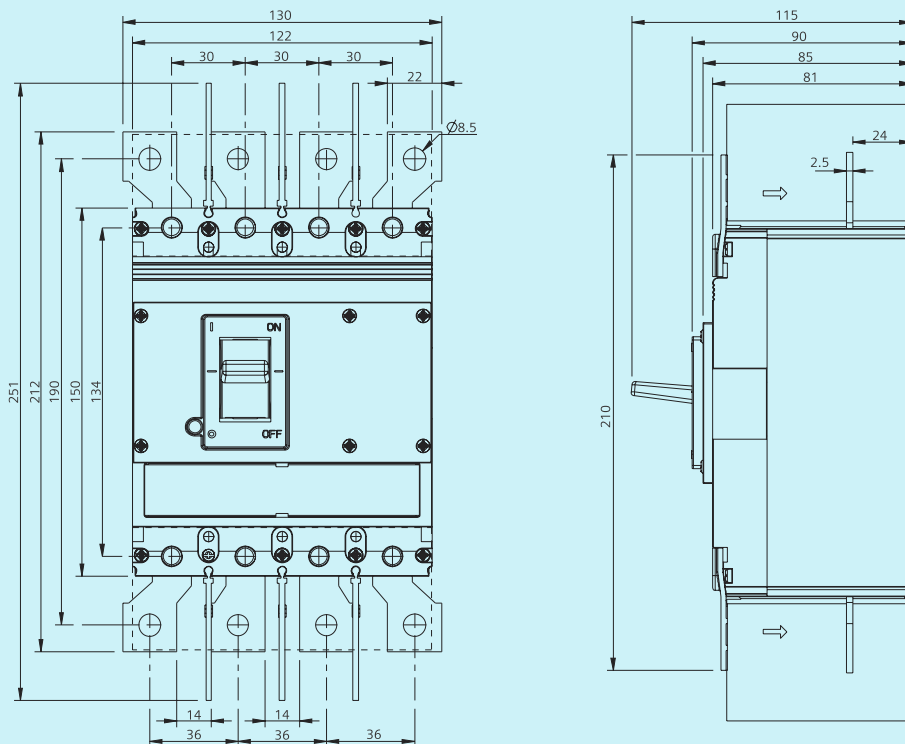
All dimensions are in mm

Dimensional Details

Frame 1 | 3VJ11 2P / 3P

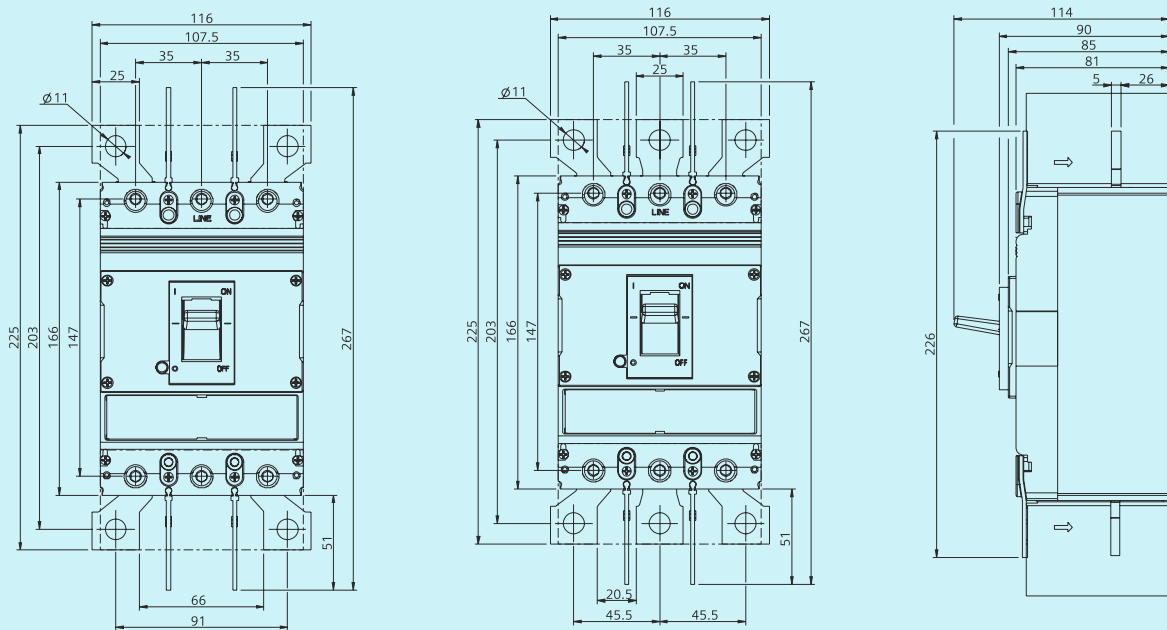


Frame 1 | 3VJ11 4P

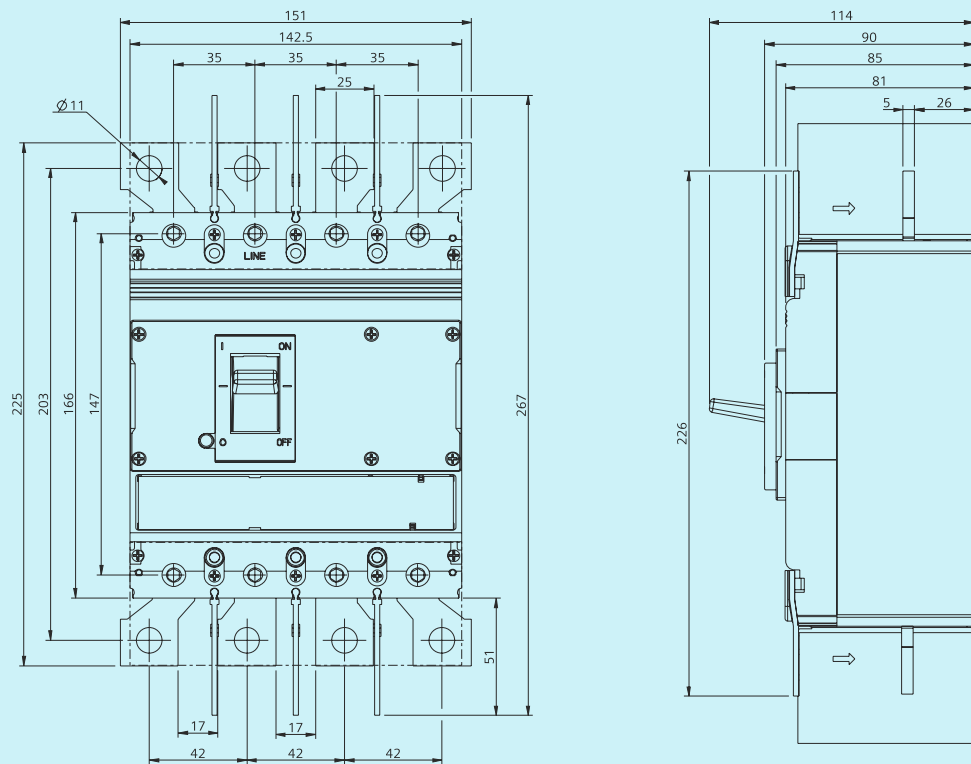


All dimensions are in mm

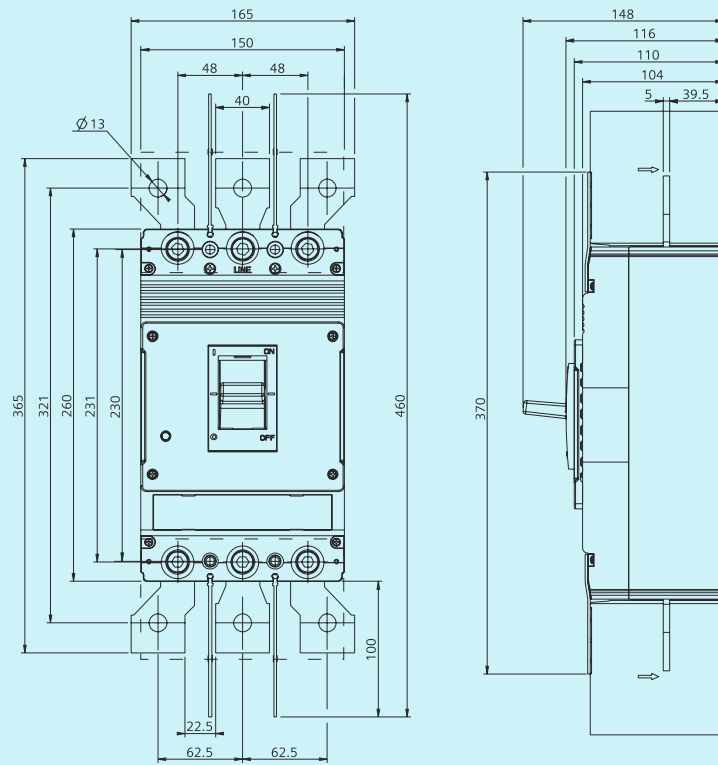
Frame 2 | 3VJ12 2P / 3P



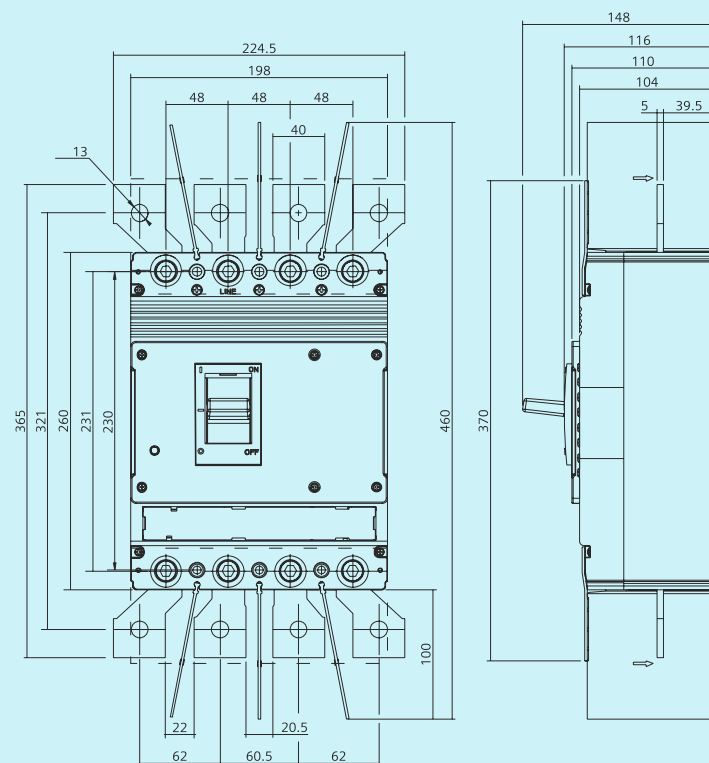
Frame 2 | 3VJ12 4P



Frame 3 | 3VJ13 3P



Frame 3 | 3VJ13 4P



All dimensions are in mm

3VJ10 MCCB, Thermal Magnetic Trip Unit, Fixed Thermal Fixed Magnetic (FTFM)

Frame Size	Breaking Capacity @415° AC, 50/60Hz	Rated Current In(A)	1Pole Type No	2Pole Type No
3VJ10 (VJ1 125X)	10kA	20	3VJ1002-0DA12-0AA0	3VJ1002-0DA22-0AA0
		25	3VJ1092-0DA12-0AA0	3VJ1092-0DA22-0AA0
		32	3VJ1003-0DA12-0AA0	3VJ1003-0DA22-0AA0
		40	3VJ1004-0DA12-0AA0	3VJ1004-0DA22-0AA0
		50	3VJ1005-0DA12-0AA0	3VJ1005-0DA22-0AA0
		63	3VJ1006-0DA12-0AA0	3VJ1006-0DA22-0AA0
		80	3VJ1008-0DA12-0AA0	3VJ1008-0DA22-0AA0
		100	3VJ1010-0DA12-0AA0	3VJ1010-0DA22-0AA0
		125	3VJ1012-0DA12-0AA0	3VJ1012-0DA22-0AA0
	18kA	20	3VJ1002-1DA12-0AA0	3VJ1002-1DA22-0AA0
		25	3VJ1092-1DA12-0AA0	3VJ1092-1DA22-0AA0
		32	3VJ1003-1DA12-0AA0	3VJ1003-1DA22-0AA0
		40	3VJ1004-1DA12-0AA0	3VJ1004-1DA22-0AA0
		50	3VJ1005-1DA12-0AA0	3VJ1005-1DA22-0AA0
		63	3VJ1006-1DA12-0AA0	3VJ1006-1DA22-0AA0
		80	3VJ1008-1DA12-0AA0	3VJ1008-1DA22-0AA0
		100	3VJ1010-1DA12-0AA0	3VJ1010-1DA22-0AA0
		125	3VJ1012-1DA12-0AA0	3VJ1012-1DA22-0AA0
	25kA	20	3VJ1002-3DA12-0AA0	3VJ1002-3DA22-0AA0
		25	3VJ1092-3DA12-0AA0	3VJ1092-3DA22-0AA0
		32	3VJ1003-3DA12-0AA0	3VJ1003-3DA22-0AA0
		40	3VJ1004-3DA12-0AA0	3VJ1004-3DA22-0AA0
		50	3VJ1005-3DA12-0AA0	3VJ1005-3EA22-0AA0
		63	3VJ1006-3DA12-0AA0	3VJ1006-3DA22-0AA0
		80	3VJ1008-3DA12-0AA0	3VJ1008-3DA22-0AA0
		100	3VJ1010-3DA12-0AA0	3VJ1010-3DA22-0AA0
		125	3VJ1012-3DA12-0AA0	3VJ1012-3DA22-0AA0

Notes: *240V for 1P MCCBs

Phase barriers for 2P MCCBs and Front barriers for 1P & 2P MCCBs are included in the standard MCCB packing



3VJ10 MCCB, Thermal Magnetic Trip Unit, Fixed Thermal Fixed Magnetic (FTFM)

Frame Size	Breaking Capacity @415V AC, 50/60Hz	Rated Current In(A)	3Pole Type No	4Pole Type No
3VJ10 (VJ1 125X)	10kA	20	3VJ1002-0DA32-0AA0	3VJ1002-0EA42-0AA0
		25	3VJ1092-0DA32-0AA0	3VJ1092-0EA42-0AA0
		32	3VJ1003-0DA32-0AA0	3VJ1003-0EA42-0AA0
		40	3VJ1004-0DA32-0AA0	3VJ1004-0EA42-0AA0
		50	3VJ1005-0DA32-0AA0	3VJ1005-0EA42-0AA0
		63	3VJ1006-0DA32-0AA0	3VJ1006-0EA42-0AA0
		80	3VJ1008-0DA32-0AA0	3VJ1008-0EA42-0AA0
		100	3VJ1010-0DA32-0AA0	3VJ1010-0EA42-0AA0
		125	3VJ1012-0DA32-0AA0	3VJ1012-0EA42-0AA0
	18kA	20	3VJ1002-1DA32-0AA0	3VJ1002-1EA42-0AA0
		25	3VJ1092-1DA32-0AA0	3VJ1092-1EA42-0AA0
		32	3VJ1003-1DA32-0AA0	3VJ1003-1EA42-0AA0
		40	3VJ1004-1DA32-0AA0	3VJ1004-1EA42-0AA0
		50	3VJ1005-1DA32-0AA0	3VJ1005-1EA42-0AA0
		63	3VJ1006-1DA32-0AA0	3VJ1006-1EA42-0AA0
		80	3VJ1008-1DA32-0AA0	3VJ1008-1EA42-0AA0
		100	3VJ1010-1DA32-0AA0	3VJ1010-1EA42-0AA0
		125	3VJ1012-1DA32-0AA0	3VJ1012-1EA42-0AA0
	25kA	20	3VJ1002-3DA32-0AA0	3VJ1002-3EA42-0AA0
		25	3VJ1092-3DA32-0AA0	3VJ1092-3EA42-0AA0
		32	3VJ1003-3DA32-0AA0	3VJ1003-3EA42-0AA0
		40	3VJ1004-3DA32-0AA0	3VJ1004-3EA42-0AA0
		50	3VJ1005-3DA32-0AA0	3VJ1005-3EA42-0AA0
		63	3VJ1006-3DA32-0AA0	3VJ1006-3EA42-0AA0
		80	3VJ1008-3DA32-0AA0	3VJ1008-3EA42-0AA0
		100	3VJ1010-3DA32-0AA0	3VJ1010-3EA42-0AA0
		125	3VJ1012-3DA32-0AA0	3VJ1012-3EA42-0AA0

Notes: Phase barriers and Front barriers are included in the standard MCCB packing



3VJ10 MCCB, Thermal Magnetic Trip Unit, Adjustable Thermal Fixed Magnetic (ATFM)

Frame Size	Breaking Capacity @415V AC, 50/60Hz	Rated Current In(A)	3Pole Type No	4Pole Type No
3VJ10 (VJ1 125X)	10kA	20	3VJ1002-0DB32-0AA0	3VJ1002-0EB42-0AA0
		25	3VJ1092-0DB32-0AA0	3VJ1092-0EB42-0AA0
		32	3VJ1003-0DB32-0AA0	3VJ1003-0EB42-0AA0
		40	3VJ1004-0DB32-0AA0	3VJ1004-0EB42-0AA0
		50	3VJ1005-0DB32-0AA0	3VJ1005-0EB42-0AA0
		63	3VJ1006-0DB32-0AA0	3VJ1006-0EB42-0AA0
		80	3VJ1008-0DB32-0AA0	3VJ1008-0EB42-0AA0
		100	3VJ1010-0DB32-0AA0	3VJ1010-0EB42-0AA0
		125	3VJ1012-0DB32-0AA0	3VJ1012-0EB42-0AA0
	18kA	20	3VJ1002-1DB32-0AA0	3VJ1002-1EB42-0AA0
		25	3VJ1092-1DB32-0AA0	3VJ1092-1EB42-0AA0
		32	3VJ1003-1DB32-0AA0	3VJ1003-1EB42-0AA0
		40	3VJ1004-1DB32-0AA0	3VJ1004-1EB42-0AA0
		50	3VJ1005-1DB32-0AA0	3VJ1005-1EB42-0AA0
		63	3VJ1006-1DB32-0AA0	3VJ1006-1EB42-0AA0
		80	3VJ1008-1DB32-0AA0	3VJ1008-1EB42-0AA0
		100	3VJ1010-1DB32-0AA0	3VJ1010-1EB42-0AA0
		125	3VJ1012-1DB32-0AA0	3VJ1012-1EB42-0AA0
	25kA	20	3VJ1002-3DB32-0AA0	3VJ1002-3EB42-0AA0
		25	3VJ1092-3DB32-0AA0	3VJ1092-3EB42-0AA0
		32	3VJ1003-3DB32-0AA0	3VJ1003-3EB42-0AA0
		40	3VJ1004-3DB32-0AA0	3VJ1004-3EB42-0AA0
		50	3VJ1005-3DB32-0AA0	3VJ1005-3EB42-0AA0
		63	3VJ1006-3DB32-0AA0	3VJ1006-3EB42-0AA0
		80	3VJ1008-3DB32-0AA0	3VJ1008-3EB42-0AA0
		100	3VJ1010-3DB32-0AA0	3VJ1010-3EB42-0AA0
		125	3VJ1012-3DB32-0AA0	3VJ1012-3EB42-0AA0

Notes: Phase barriers and Front barriers are included in the standard MCCB packing



3VJ MCCB, Thermal Magnetic Trip Unit, Fixed Thermal Fixed Magnetic (FTFM)

Frame Size	Breaking Capacity @415V AC, 50/60Hz	Rated Current In(A)	2Pole Type No	3Pole Type No	4Pole Type No	
3VJ11 (VJ1 125)	25kA	25	3VJ1192-3DA22-0AA0	3VJ1192-3DA32-0AA0	3VJ1192-3EA42-0AA0	
		32	3VJ1103-3DA22-0AA0	3VJ1103-3DA32-0AA0	3VJ1103-3EA42-0AA0	
		40	3VJ1104-3DA22-0AA0	3VJ1104-3DA32-0AA0	3VJ1104-3EA42-0AA0	
		50	3VJ1105-3DA22-0AA0	3VJ1105-3DA32-0AA0	3VJ1105-3EA42-0AA0	
		63	3VJ1106-3DA22-0AA0	3VJ1106-3DA32-0AA0	3VJ1106-3EA42-0AA0	
		80	3VJ1108-3DA22-0AA0	3VJ1108-3DA32-0AA0	3VJ1108-3EA42-0AA0	
		100	3VJ1110-3DA22-0AA0	3VJ1110-3DA32-0AA0	3VJ1110-3EA42-0AA0	
		125	3VJ1112-3DA22-0AA0	3VJ1112-3DA32-0AA0	3VJ1112-3EA42-0AA0	
3VJ12 (VJ1 250)		160	3VJ1216-3DA22-0AA0	3VJ1216-3DA32-0AA0	3VJ1216-3EA42-0AA0	
		200	3VJ1220-3DA22-0AA0	3VJ1220-3DA32-0AA0	3VJ1220-3EA42-0AA0	
		250	3VJ1225-3DA22-0AA0	3VJ1225-3DA32-0AA0	3VJ1225-3EA42-0AA0	
3VJ13 (VJ1 400)		320	-	3VJ1332-3DA32-0AA0	3VJ1332-3EA42-0AA0	
		400	-	3VJ1340-3DA32-0AA0	3VJ1340-3EA42-0AA0	
3VJ11 (VJ1 125)		36kA	25	3VJ1192-5DA22-0AA0	3VJ1192-5DA32-0AA0	3VJ1192-5EA42-0AA0
			32	3VJ1103-5DA22-0AA0	3VJ1103-5DA32-0AA0	3VJ1103-5EA42-0AA0
			40	3VJ1104-5DA22-0AA0	3VJ1104-5DA32-0AA0	3VJ1104-5EA42-0AA0
	50		3VJ1105-5DA22-0AA0	3VJ1105-5DA32-0AA0	3VJ1105-5EA42-0AA0	
	63		3VJ1106-5DA22-0AA0	3VJ1106-5DA32-0AA0	3VJ1106-5EA42-0AA0	
	80		3VJ1108-5DA22-0AA0	3VJ1108-5DA32-0AA0	3VJ1108-5EA42-0AA0	
	100		3VJ1110-5DA22-0AA0	3VJ1110-5DA32-0AA0	3VJ1110-5EA42-0AA0	
	125		3VJ1112-5DA22-0AA0	3VJ1112-5DA32-0AA0	3VJ1112-5EA42-0AA0	
3VJ12 (VJ1 250)	160		3VJ1216-5DA22-0AA0	3VJ1216-5DA32-0AA0	3VJ1216-5EA42-0AA0	
	200		3VJ1220-5DA22-0AA0	3VJ1220-5DA32-0AA0	3VJ1220-5EA42-0AA0	
	250		3VJ1225-5DA22-0AA0	3VJ1225-5DA32-0AA0	3VJ1225-5EA42-0AA0	
3VJ13 (VJ1 400)	320		-	3VJ1332-5DA32-0AA0	3VJ1332-5EA42-0AA0	
	400		-	3VJ1340-5DA32-0AA0	3VJ1340-5EA42-0AA0	
3VJ11 (VJ1 125)	55kA		25	3VJ1192-7DA22-0AA0	3VJ1192-7DA32-0AA0	3VJ1192-7EA42-0AA0
			32	3VJ1103-7DA22-0AA0	3VJ1103-7DA32-0AA0	3VJ1103-7EA42-0AA0
			40	3VJ1104-7DA22-0AA0	3VJ1104-7DA32-0AA0	3VJ1104-7EA42-0AA0
		50	3VJ1105-7DA22-0AA0	3VJ1105-7DA32-0AA0	3VJ1105-7EA42-0AA0	
		63	3VJ1106-7DA22-0AA0	3VJ1106-7DA32-0AA0	3VJ1106-7EA42-0AA0	
		80	3VJ1108-7DA22-0AA0	3VJ1108-7DA32-0AA0	3VJ1108-7EA42-0AA0	
		100	3VJ1110-7DA22-0AA0	3VJ1110-7DA32-0AA0	3VJ1110-7EA42-0AA0	
		125	3VJ1112-7DA22-0AA0	3VJ1112-7DA32-0AA0	3VJ1112-7EA42-0AA0	
3VJ12 (VJ1 250)		160	3VJ1216-7DA22-0AA0	3VJ1216-7DA32-0AA0	3VJ1216-7EA42-0AA0	
		200	3VJ1220-7DA22-0AA0	3VJ1220-7DA32-0AA0	3VJ1220-7EA42-0AA0	
		250	3VJ1225-7DA22-0AA0	3VJ1225-7DA32-0AA0	3VJ1225-7EA42-0AA0	
3VJ13 (VJ1 400)		320	-	3VJ1332-7DA32-0AA0	3VJ1332-7EA42-0AA0	
		400	-	3VJ1340-7DA32-0AA0	3VJ1340-7EA42-0AA0	

Notes: Phase barriers and Front barriers are included in the standard packing

3VJ MCCB, Thermal Magnetic Trip Unit, Adjustable Thermal Fixed Magnetic (ATFM)

Frame Size	Breaking Capacity @415V AC, 50/60Hz	Rated Current In(A)	3Pole Type No	4Pole Type No	
3VJ11 (VJ1 125)	25kA	25	3VJ1192-3DB32-0AA0	3VJ1192-3EB42-0AA0	
		32	3VJ1103-3DB32-0AA0	3VJ1103-3EB42-0AA0	
		40	3VJ1104-3DB32-0AA0	3VJ1104-3EB42-0AA0	
		50	3VJ1105-3DB32-0AA0	3VJ1105-3EB42-0AA0	
		63	3VJ1106-3DB32-0AA0	3VJ1106-3EB42-0AA0	
		80	3VJ1108-3DB32-0AA0	3VJ1108-3EB42-0AA0	
		100	3VJ1110-3DB32-0AA0	3VJ1110-3EB42-0AA0	
		125	3VJ1112-3DB32-0AA0	3VJ1112-3EB42-0AA0	
3VJ12 (VJ1 250)		160	3VJ1216-3DB32-0AA0	3VJ1216-3EB42-0AA0	
		200	3VJ1220-3DB32-0AA0	3VJ1220-3EB42-0AA0	
		250	3VJ1225-3DB32-0AA0	3VJ1225-3EB42-0AA0	
3VJ13 (VJ1 400)		320	3VJ1332-3DB32-0AA0	3VJ1332-3EB42-0AA0	
		400	3VJ1340-3DB32-0AA0	3VJ1340-3EB42-0AA0	
3VJ11 (VJ1 125)		36kA	25	3VJ1192-5DB32-0AA0	3VJ1192-5EB42-0AA0
			32	3VJ1103-5DB32-0AA0	3VJ1103-5EB42-0AA0
			40	3VJ1104-5DB32-0AA0	3VJ1104-5EB42-0AA0
	50		3VJ1105-5DB32-0AA0	3VJ1105-5EB42-0AA0	
	63		3VJ1106-5DB32-0AA0	3VJ1106-5EB42-0AA0	
	80		3VJ1108-5DB32-0AA0	3VJ1108-5EB42-0AA0	
	100		3VJ1110-5DB32-0AA0	3VJ1110-5EB42-0AA0	
	125		3VJ1112-5DB32-0AA0	3VJ1112-5EB42-0AA0	
3VJ12 (VJ1 250)	160		3VJ1216-5DB32-0AA0	3VJ1216-5EB42-0AA0	
	200		3VJ1220-5DB32-0AA0	3VJ1220-5EB42-0AA0	
	250		3VJ1225-5DB32-0AA0	3VJ1225-5EB42-0AA0	
3VJ13 (VJ1 400)	320		3VJ1332-5DB32-0AA0	3VJ1332-5EB42-0AA0	
	400		3VJ1340-5DB32-0AA0	3VJ1340-5EB42-0AA0	
3VJ11 (VJ1 125)	55kA		25	3VJ1192-7DB32-0AA0	3VJ1192-7EB42-0AA0
			32	3VJ1103-7DB32-0AA0	3VJ1103-7EB42-0AA0
			40	3VJ1104-7DB32-0AA0	3VJ1104-7EB42-0AA0
		50	3VJ1105-7DB32-0AA0	3VJ1105-7EB42-0AA0	
		63	3VJ1106-7DB32-0AA0	3VJ1106-7EB42-0AA0	
		80	3VJ1108-7DB32-0AA0	3VJ1108-7EB42-0AA0	
		100	3VJ1110-7DB32-0AA0	3VJ1110-7EB42-0AA0	
		125	3VJ1112-7DB32-0AA0	3VJ1112-7EB42-0AA0	
3VJ12 (VJ1 250)		160	3VJ1216-7DB32-0AA0	3VJ1216-7EB42-0AA0	
		200	3VJ1220-7DB32-0AA0	3VJ1220-7EB42-0AA0	
		250	3VJ1225-7DB32-0AA0	3VJ1225-7EB42-0AA0	
3VJ13 (VJ1 400)		320	3VJ1332-7DB32-0AA0	3VJ1332-7EB42-0AA0	
		400	3VJ1340-7DB32-0AA0	3VJ1340-7EB42-0AA0	



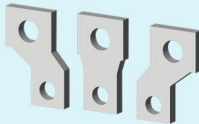
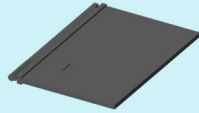
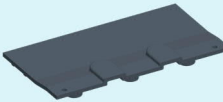
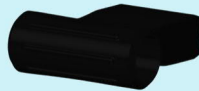
Notes: Phase barriers and Front barriers are included in the standard packing

3VJ Internal accessories

Frame Size Accessory	Reference Image	Accessory compartment /coil voltage	3VJ10 (VJ1 125X)	3VJ11 (VJ1 125)	3VJ12 (VJ1 250)	3VJ13 (VJ1 400)
Auxiliary Switches		Left	3VJ9018-0AN11	3VJ9218-0AN11		3VJ9417-0AN11
		Right	-	3VJ9218-0AN21		3VJ9417-0AN21
Alarm Switches		Left	3VJ9018-0AA11	3VJ9118-0AA11	3VJ9218-0AA11	3VJ9417-0AA11
		Right	-	3VJ9118-0AA21	3VJ9218-0AA21	3VJ9417-0AA21
Auxiliary + Alarm Switches		Left	3VJ9018-0AD11	3VJ9118-0AD11	3VJ9218-0AD11	3VJ9417-0AD11
		Right	-	3VJ9118-0AD21	3VJ9218-0AD21	3VJ9417-0AD21
Shunt Trip (Right)		24V DC	3VJ9218-0ST11			-
		24V AC/DC	-			3VJ9417-0ST21
		48V DC	3VJ9218-0ST12			-
		48V AC/DC	-			3VJ9417-0ST22
		110V DC	3VJ9218-0ST15			-
		110V AC/DC	-			3VJ9417-0ST25
		110V AC	3VJ9218-0ST35			-
		220V AC	3VJ9218-0ST36			3VJ9417-0ST36
		415V AC	3VJ9218-0ST37			3VJ9417-0ST37
Undervoltage Release (Left)		24V DC	-	3VJ9218-0UV11		-
		48V DC		3VJ9218-0UV12		-
		220V AC		3VJ9218-0UV36		3VJ9417-0UV36
		415V AC		3VJ9218-0UV37		3VJ9417-0UV37

Notes:
Internal accessories are available only for 2P, 3P & 4P MCCBs

3VJ External accessories

Frame Size Accessory	Reference Image	3VJ10 (VJ1 125X)	3VJ11 (VJ1 125)	3VJ12 (VJ1 250)	3VJ13 (VJ1 400)
Extended Door Mounted Rotary Operator (including 8UC handle) [®]		3VJ9018-0HD11	3VJ9118-0HD11	3VJ9218-0HD11	3VJ9417-0HD11
Extended terminals [#]		3VJ9011-0EC00 (1P)	-	-	-
Spreader Links [^]		3VJ9012-0ED00 (2P)	3VJ9112-0ED00 (2P))	3VJ9212-0ED00 (2P)	-
		3VJ9013-0ED00 (3P)	3VJ9113-0ED00 (3P)	3VJ9213-0ED00 (3P)	3VJ9313-0ED00 (3P)
		3VJ9014-0ED00 (4P)	3VJ9114-0ED00 (4P)	3VJ9214-0ED00 (4P)	3VJ9314-0ED00 (4P)
Phase Barriers [*]		3VJ9018-0CA00	3VJ9218-0CA00		3VJ9417-0CA00
Front Barriers ^{\$}		3VJ9011-0CJ10 (1P)	-	-	-
		3VJ9016-0CJ30 (2P/3P)	3VJ9116-0CJ30 (2P/3P)	3VJ9216-0CJ30 (2P/3P)	3VJ9413-0CJ30 (3P)
		3VJ9014-0CJ40 (4P)	3VJ9114-0CJ40 (4P)	3VJ9214-0CJ40 (4P)	3VJ9414-0CJ40 (4P)
Toggle handle extension		-	-	-	3VJ9417-0DH10

Notes:

@ 1 set contains rotary mechanism, coupler, shaft and 8UC handle. Rotary operators are not available for 1P 3VJ MCCBs

[^] Spreader link 1 set = 2 nos. links in case of 2 pole; and 3 nos. links in case of 3 pole; and 4 nos. links in case of 4 pole.

[#] Extended terminals 1 set = 2 nos. links

^{*}Available as a spare; 1 set contains 2 phase barriers

^{\$}Available as a spare; 1 set contains 2 front barriers (top & bottom)

Toggle handle extension is included in the standard packing of 3VJ13 (VJ1 400) MCCB.

